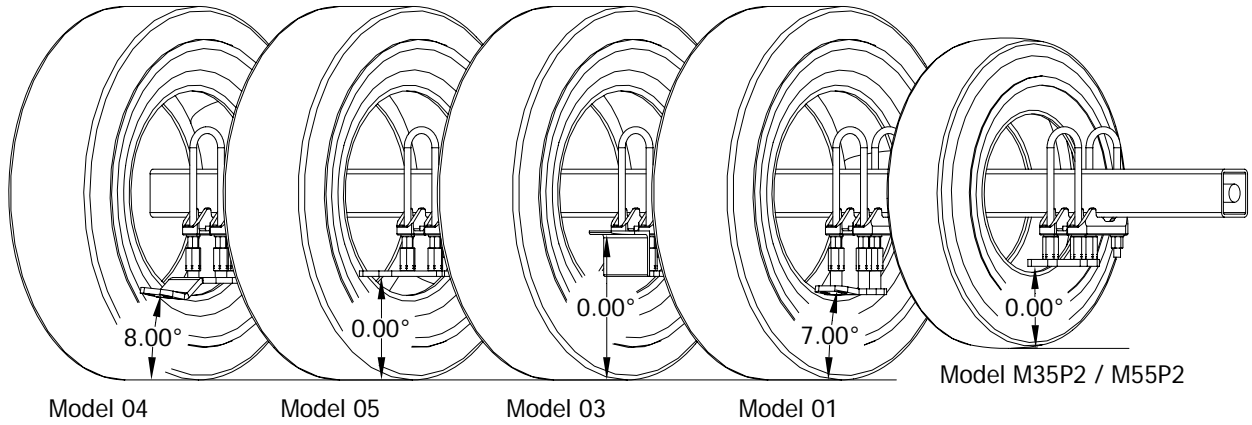
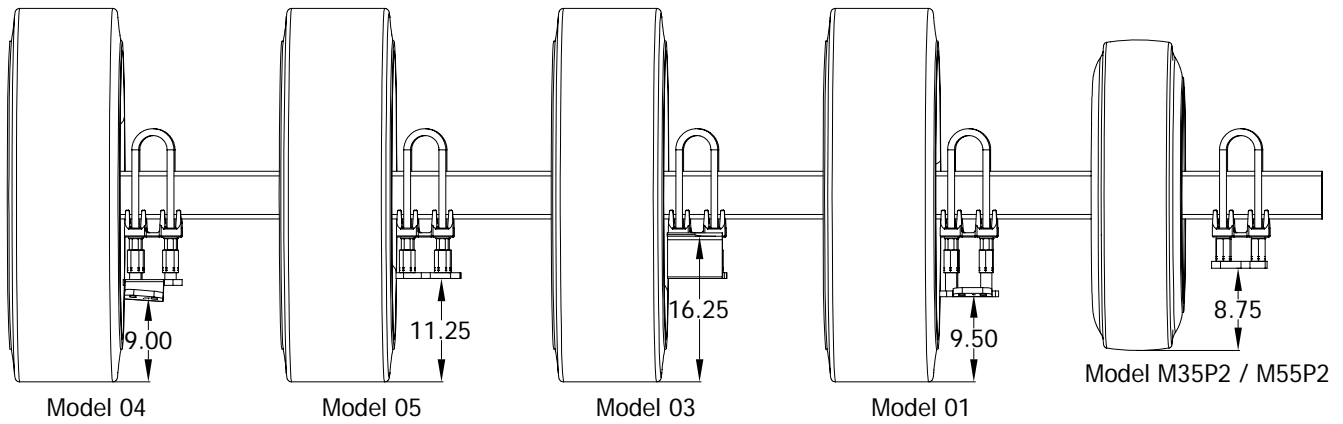


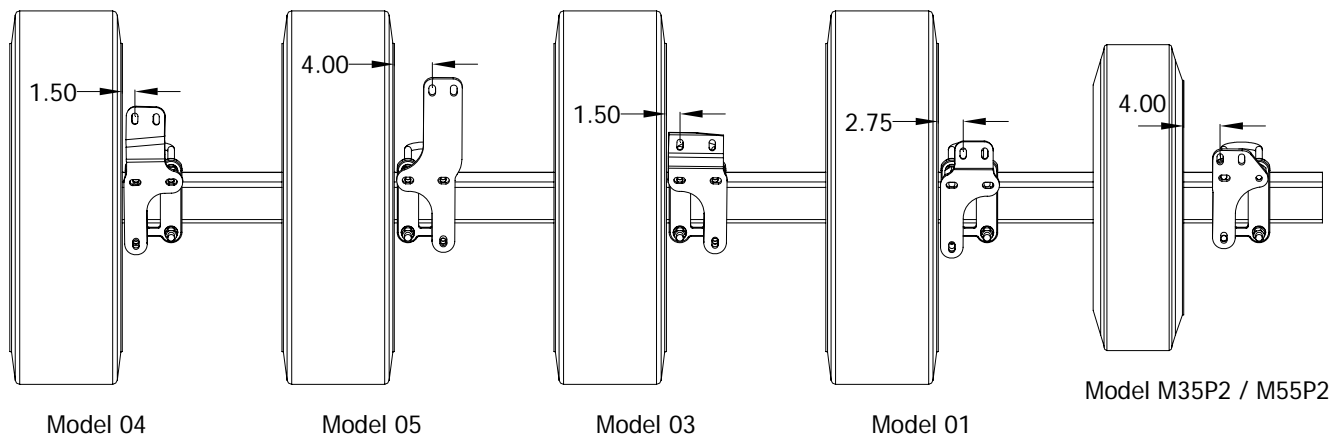
'T' Angle Relative to Ground



'BBG' Dimension Bottom of Bracket to Ground



'S' Dimension



The above dimensions are general guidelines for 190mm wheels at 4" tire contact. See individual Mounting Bracket Instructions for exact guidelines concerning your vehicle. The Model M35P2 and M55P2 use 170 mm chainwheels at 3" tire contact.