



Vehicle Suspension Information

FORM # 3130018 Rev 01

Side 1 of 2

The following information and measurements are required in order to determine if the vehicle can be fit with Onspots, and, if so, which Model Onspot Chain Set and Mounting Bracket Kit is required. This information will be different from vehicle to vehicle based on vehicle make/model, axle make/model, tire size and wheel offset. Any questions in completing this form can be addressed to Onspot at 800-224-2467. Fax completed form to 812-346-1819.

Dealer or OEM name: _____

Customer name: _____ Ref. Unit _____

Address: _____

City: _____ State: _____ Zip: _____

Contact: _____ Phone Number: _____

Quantity of identical vehicles for this order: _____

Description: (Fire Truck, Plow Truck, Dump Truck, etc.): _____

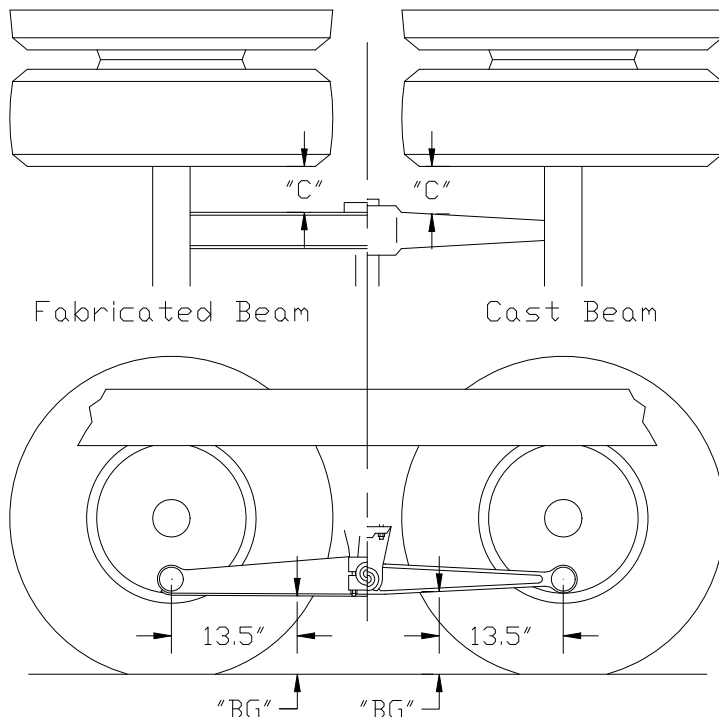
Vehicle Make: _____ Model: _____ Year: _____

Note: The following information applies to the rear suspension only.

Axle Make: _____ Capacity: _____

Tire size: _____ Brand: _____

Suspension Model: _____ Beam Type from Page 2: _____



Side of Beam to Tire Sidewall

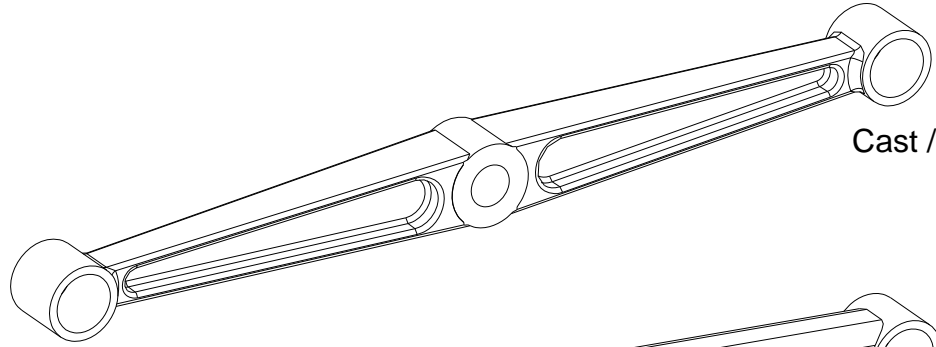
C = _____

Bottom of beam to ground 13 1/2" from center of axle

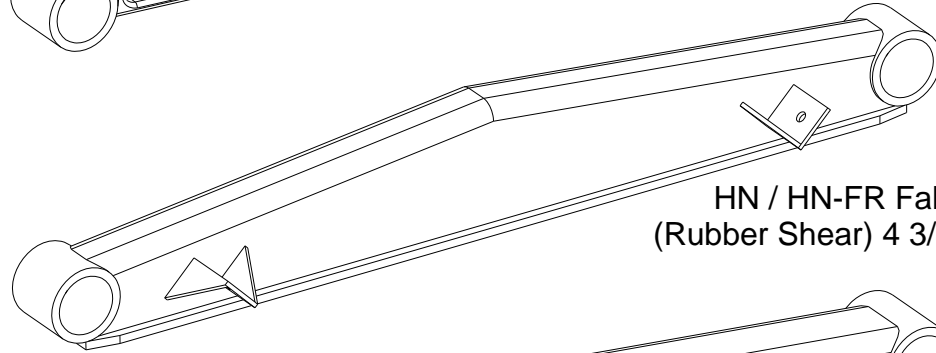
BG = _____

Majority of installations are installed as a rear mount on the front drive axle.

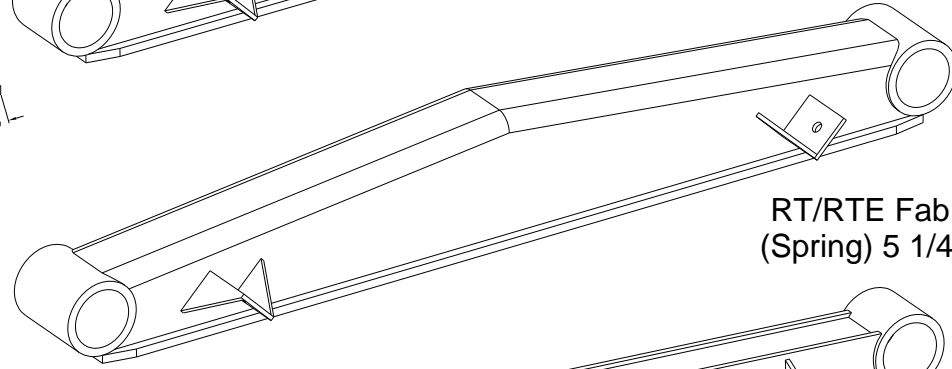
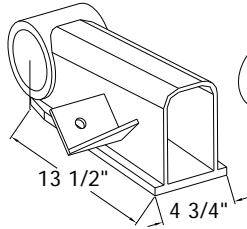
Indicate Beam Type:
FORM # 3130018 Rev 01 Side 2 of 2



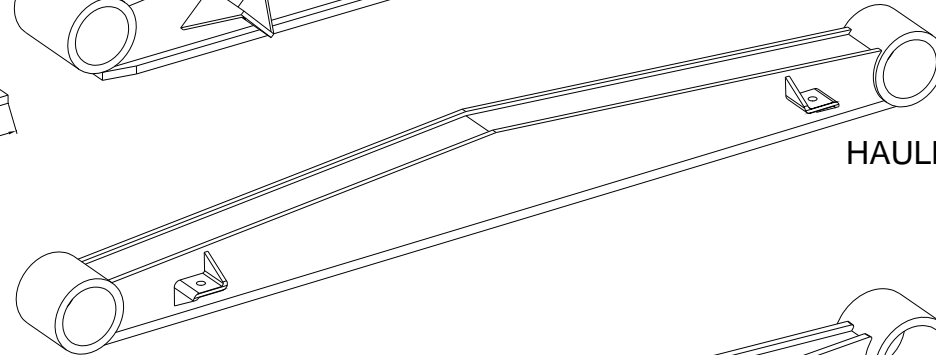
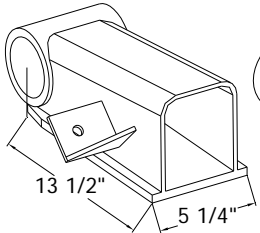
Cast / Forged



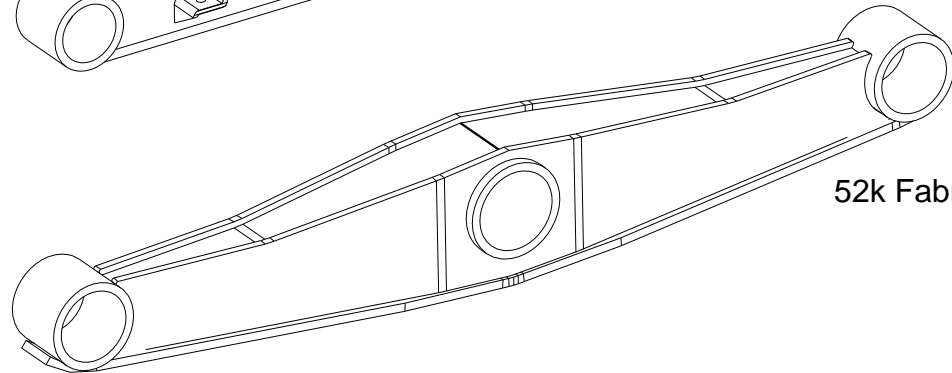
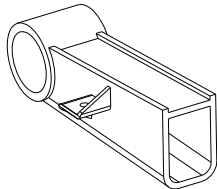
HN / HN-FR Fabricated
(Rubber Shear) 4 3/4" Wide



RT/RTE Fabricated
(Spring) 5 1/4" Wide



HAULMAAX®



52k Fabricated

