



# Vehicle Suspension Information

FORM # 3130018 Side 1 of 1

The following information and measurements are required in order to determine if the vehicle can be fit with Onspots, and, if so, which Model Onspot Chain Set and Mounting Bracket Kit is required. This information will be different from vehicle to vehicle based on vehicle make/model, axle make/model, tire size and wheel offset. Any questions in completing this form can be addressed to Onspot at 800-224-2467. Fax completed form to 812-346-1819

Dealer or OEM name: \_\_\_\_\_

Customer name: \_\_\_\_\_ Ref. Unit \_\_\_\_\_

Address: \_\_\_\_\_

City: \_\_\_\_\_ State: \_\_\_\_\_ Zip: \_\_\_\_\_

Contact: \_\_\_\_\_ Phone Number: \_\_\_\_\_

Quantity of identical vehicles for this order: \_\_\_\_\_

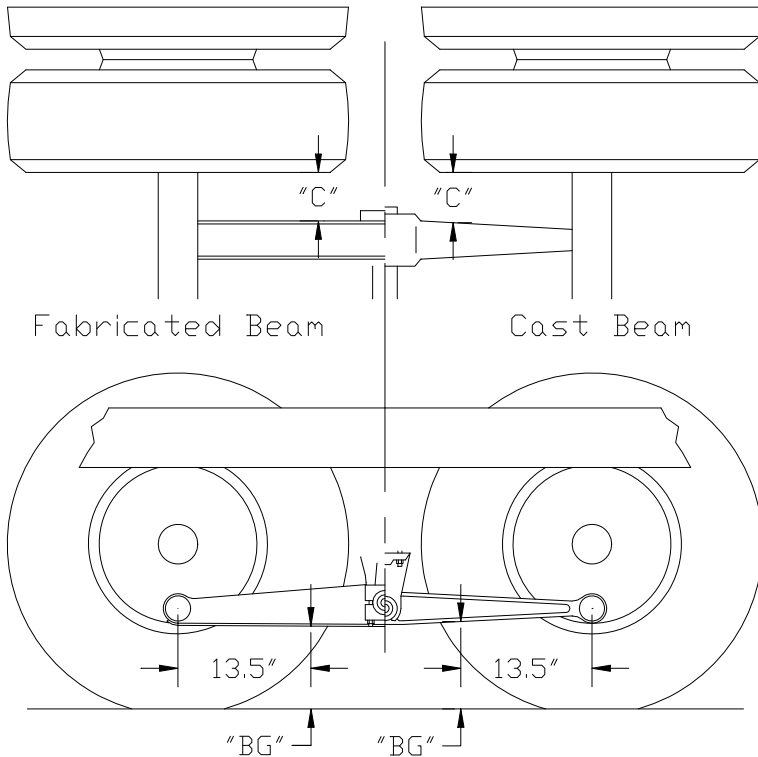
Description: (Fire Truck, Municipal Truck, etc.): \_\_\_\_\_

Vehicle Make: \_\_\_\_\_ Model: \_\_\_\_\_ Year: \_\_\_\_\_

*Note: The following information applies to the rear suspension only.*

Axle Make: \_\_\_\_\_ Capacity: \_\_\_\_\_

Tire size: \_\_\_\_\_ Brand: \_\_\_\_\_



Side of Beam to Tire Sidewall

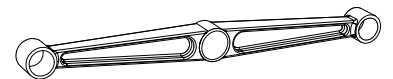
C = \_\_\_\_\_

Bottom of beam to ground 13 1/2" from center of axle

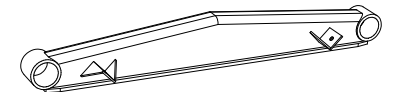
BG = \_\_\_\_\_

**Indicate Beam Type:**

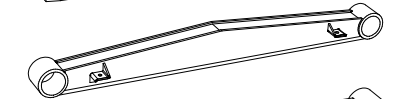
Cast



Fabricated



HAULMAAX®



52K Fabricated

