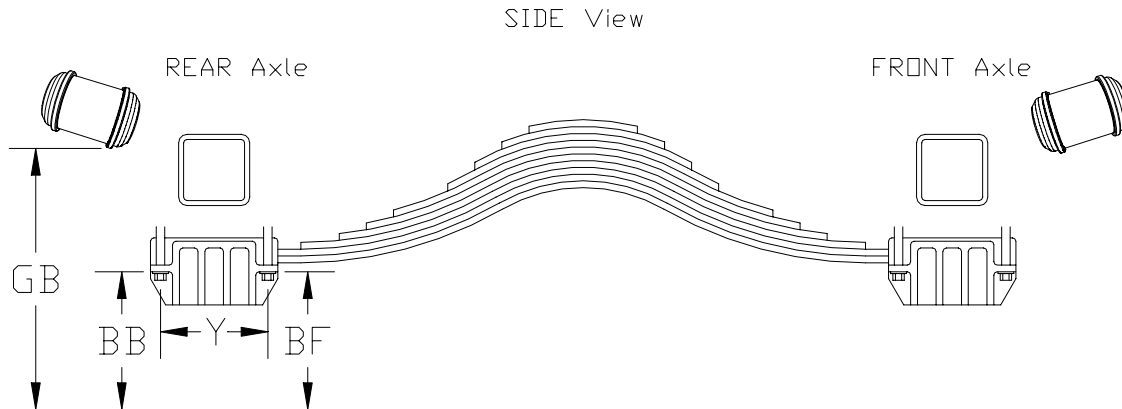


Mack Camel Back Suspension

Onspots Mount behind the REAR Drive Axle
Must have 26" of Clearance



BF = Distance from ground to where capscrew flat washer contacts spring box in front _____

BB = Distance from ground to where capscrew flat washer contacts spring box in rear _____

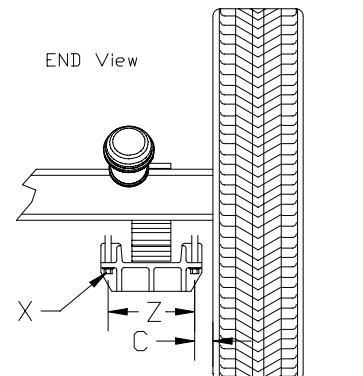
GB = Minimum distance from air brake chamber to ground _____

C = Distance from outside spring box capscrew to tire _____

X = Diameter and pitch of the spring box capscrews _____

Y = Center to center distance of the spring box capscrews front to rear _____

Z = Center to center distance of the spring box capscrews side to side _____



Fax completed form to 812-346-1819