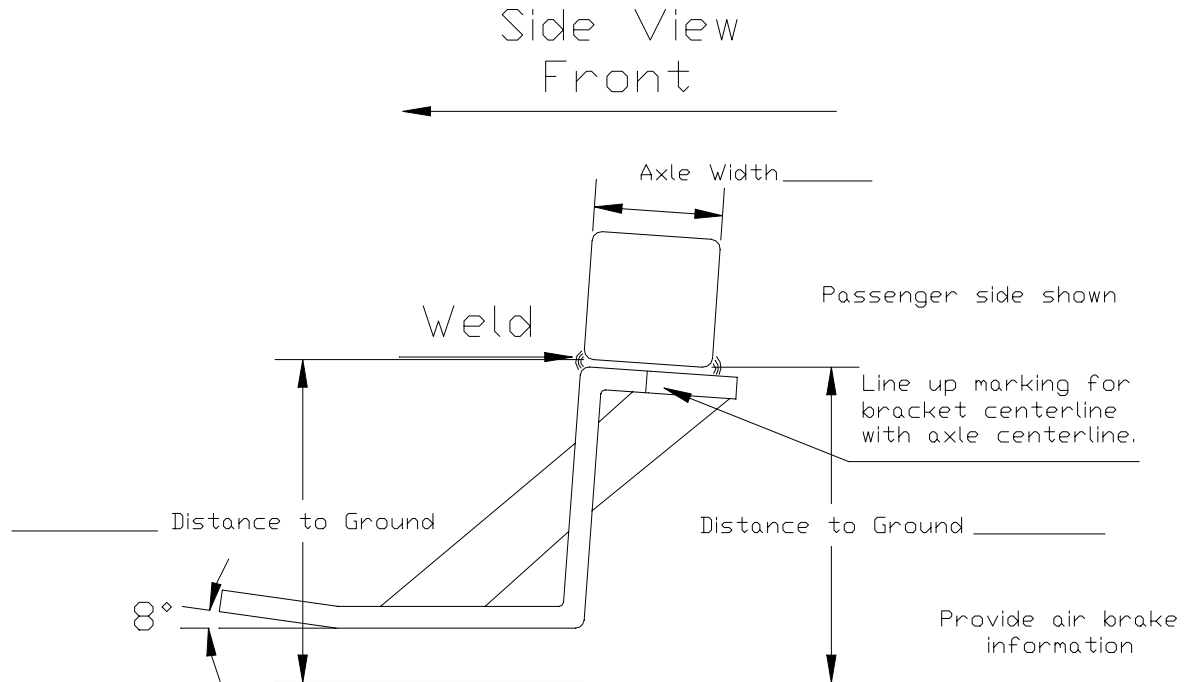


Seagrave 4271 Brackets

Chain units mount in FRONT of the axle
The mounting bracket will be welded to the bottom of the axle as shown below.



Front View

