



AUTOMATIC TIRE CHAINS

VEHICLE SUSPENSION INFORMATION

MCI 102D3 & 102DL3

Form #3130038

The following information and measurements are required in order to determine if the vehicle can be fit with Onspots, and, if so, which Model Onspot Chain Set and Mounting Bracket Kit is required. This information will be different from vehicle to vehicle based on vehicle make/ model, axle make/model, tire size, and wheel offset. Any questions in completing this form can be addressed to Onspot at 800-224-2467. Fax completed form to 812-346-1819

Dealer or OEM name: _____

Customer name: _____ Ref. Unit No. _____

Address: _____

City: _____ State: _____ Zip: _____

Contact: _____ Phone Number: _____

Quantity of identical vehicles for this order: _____

Description: (School Bus, Tour Bus, etc.) _____

Vehicle Make: _____ Model: _____ Year: _____

Note: The following information applies to the rear suspension only.

Axle Make: _____ Capacity: _____ Tandem/Single

Axle Speed: Single/Two Tire Size: _____ Brand: _____

Air Brakes: Yes/No Air brake cylinder location: Front/Back

Disc Brakes: Yes/No

Torsion/Sway Bar: Yes/No Torsion Bar location: Front/Back

Are there any obstructions within 36" in front of or behind rear axle that would prevent the Onspot Installation? (ie. Fuel tank, air tank, exhaust, driveline retarder, cabinets, etc.)

If so indicate item and distance from AXLE, from GROUND, and from TIRE SIDEWALL.

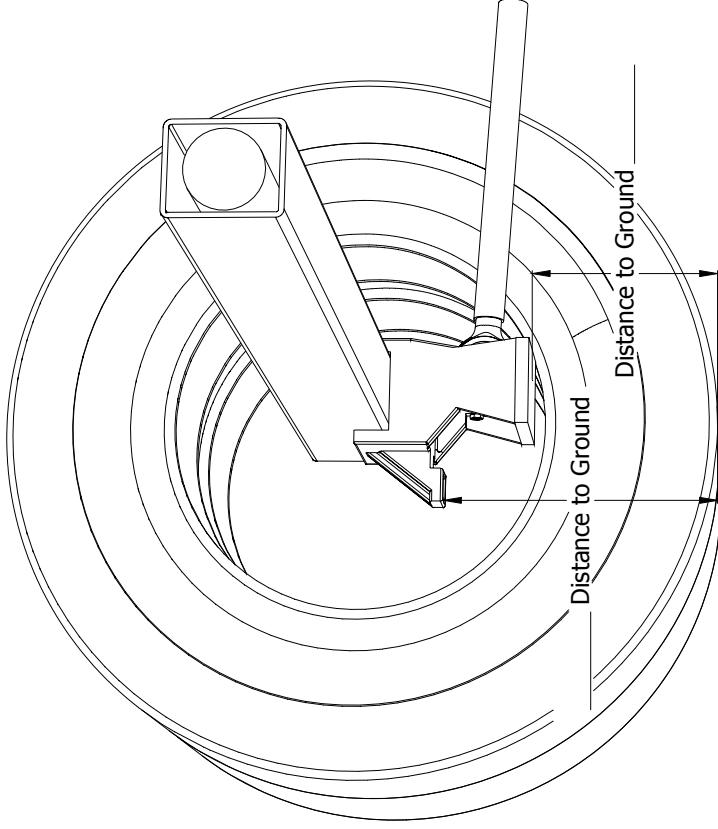
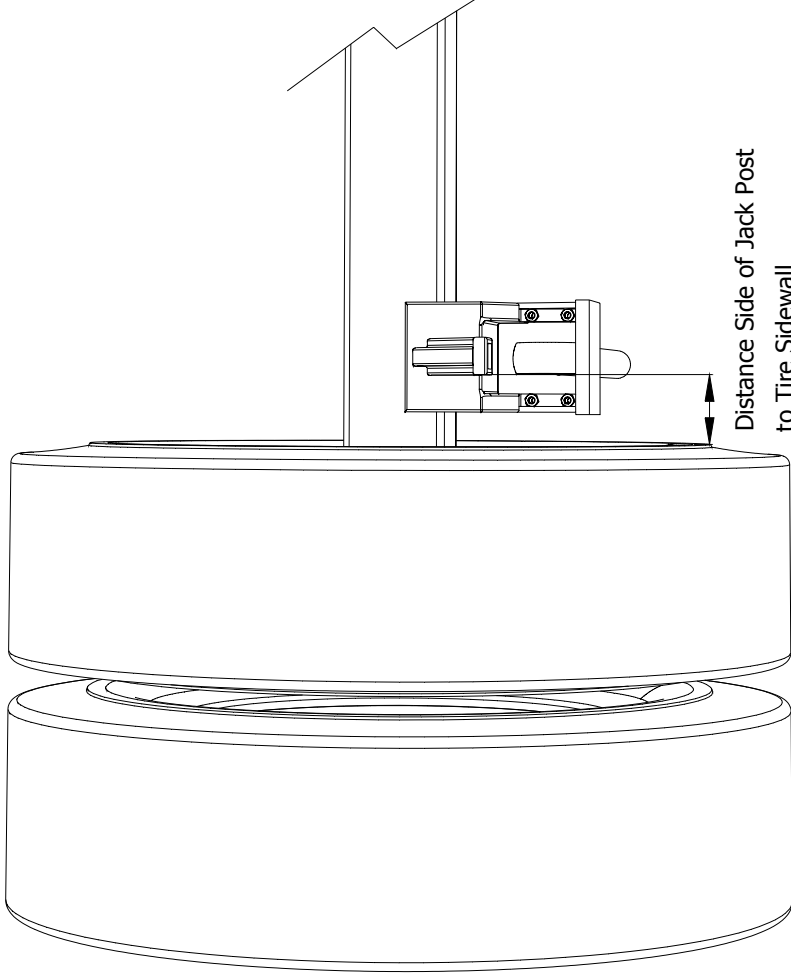
VEHICLE SUSPENSION INFORMATION

Switches and Solenoids are available in 12 or 24 volt.

Please Indicate: 12 VOLT 24 VOLT

Customer: _____

Unit #: _____



**QUESTIONS? 1-800-224-2467
FAX COMPLETED FORM TO: 812-346-1819
OR EMAIL TO: service@onspot.com**