



AUTOMATIC TIRE CHAINS

VEHICLE SUSPENSION INFORMATION

Neway Air Suspension

Form #3130048

The following information and measurements are required in order to determine if the vehicle can be fit with Onspots, and, if so, which model Onspot chain set and mounting bracket kit is required. This information will be different from vehicle to vehicle based on make/model, axle make/model, tire size and wheel offset. Any questions in completing this form can be addressed to Onspot at **800-224-2467**.

Date: _____ Measured by: _____

Dealer or OEM name: _____

Customer name: _____ Unit No. _____

Address: _____

City: _____ State: _____ Zip: _____

Contact: _____ Phone: _____

Quantity of identical vehicles for this order: _____

Description: (School Bus, Fire Truck, etc.): _____

Vehicle Make: _____ Model: _____ Year: _____

Note: The following information applies to the rear suspension only.

Suspension Model: _____

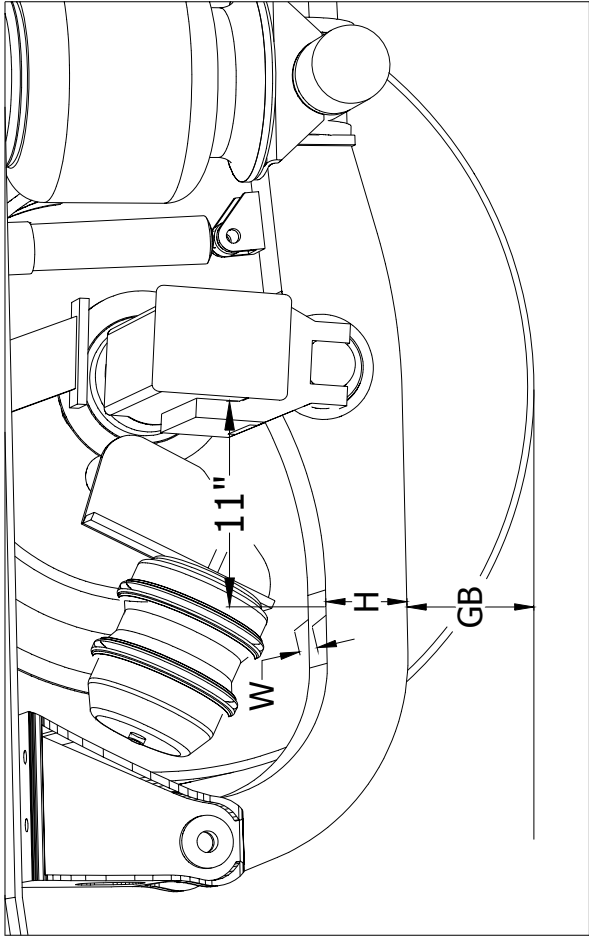
Axle Make: _____ Capacity: _____ Tandem/Single

Axle Speed: Single/Two Tire size: _____ Brand: _____

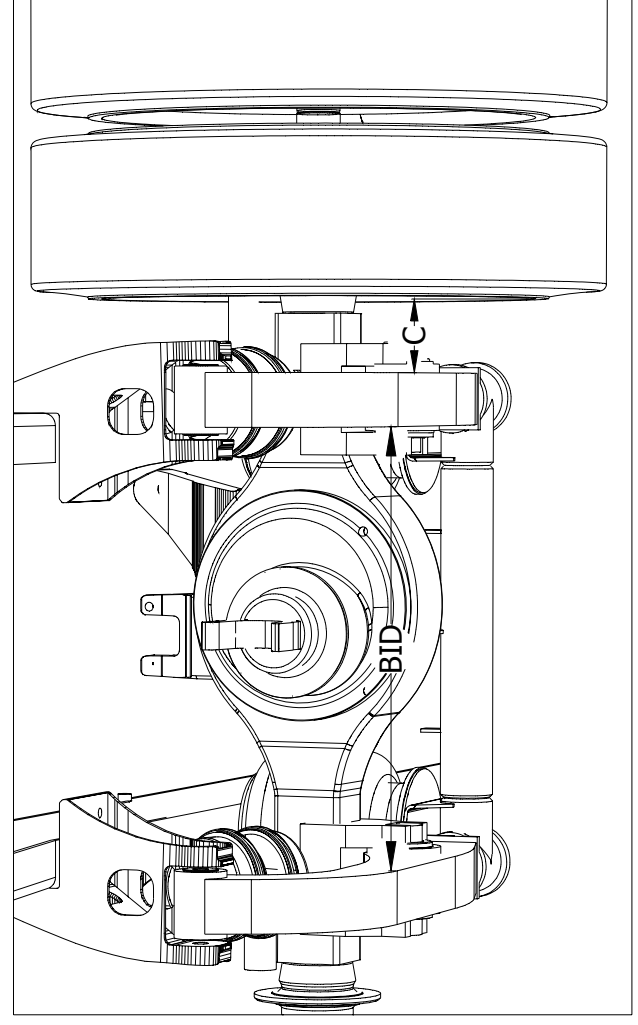
VEHICLE SUSPENSION INFORMATION

Name _____ Unit # _____

(please circle) Axle Measuring FRONT / REAR



- (GB) Ground to the bottom of the suspension beam approx 11" in front of the axle.
- (H) The height of the suspension beam top to bottom.
- (W) The width of the suspension beam side to side.
- (C) The distance from the outside of the beam to the tire sidewall.
- (BID) The distance across the inside of the suspension beams.



- Ground to Beam GB = _____
- Height of Beam H = _____
- Width of Beam W = _____
- Sidewall to Beam C = _____
- Distance inside of beams BID = _____

QUESTIONS? 1-800-224-2467
FAX COMPLETED FORM TO: 812-346-1819
OR EMAIL TO: service@onspot.com